



# E X T E R I O R I N S U L A T E D F I N I S H I N G S Y S T E M S

## ➤ PROFILE

---

Insulation Corporation of America in Allentown, PA has been a molder of Expanded Polystyrene (EPS) since 1981 and has supplied foam to the EIFS industry since the company started. With our trucking fleet, we ship to 14 states in the Northeast and can provide timely service, quality products, and competitive pricing for all your EIFS needs.

## ➤ APPROVALS

---

ICA is currently listed with RADCO for third party certification (listing #1274) and has been approved for the following EIFS systems:

- |             |               |            |
|-------------|---------------|------------|
| ■ ACROCRETE | ■ MASTER WALL | ■ SONOWALL |
| ■ DRYVIT    | ■ PAREX       | ■ STO      |
| ■ FINESTONE | ■ SENERGY     | ■ TEIFS    |

For other systems, please contact our technical service department so we can submit samples for approval.

## ➤ ABOUT THIS GUIDE

---

The purpose of this guide is to give you an idea of the capabilities of our computerized cutting equipment. As you look through the following pages, understand that any dimension can be adjusted to fit your specific project.



Extraordinary Product Solutions

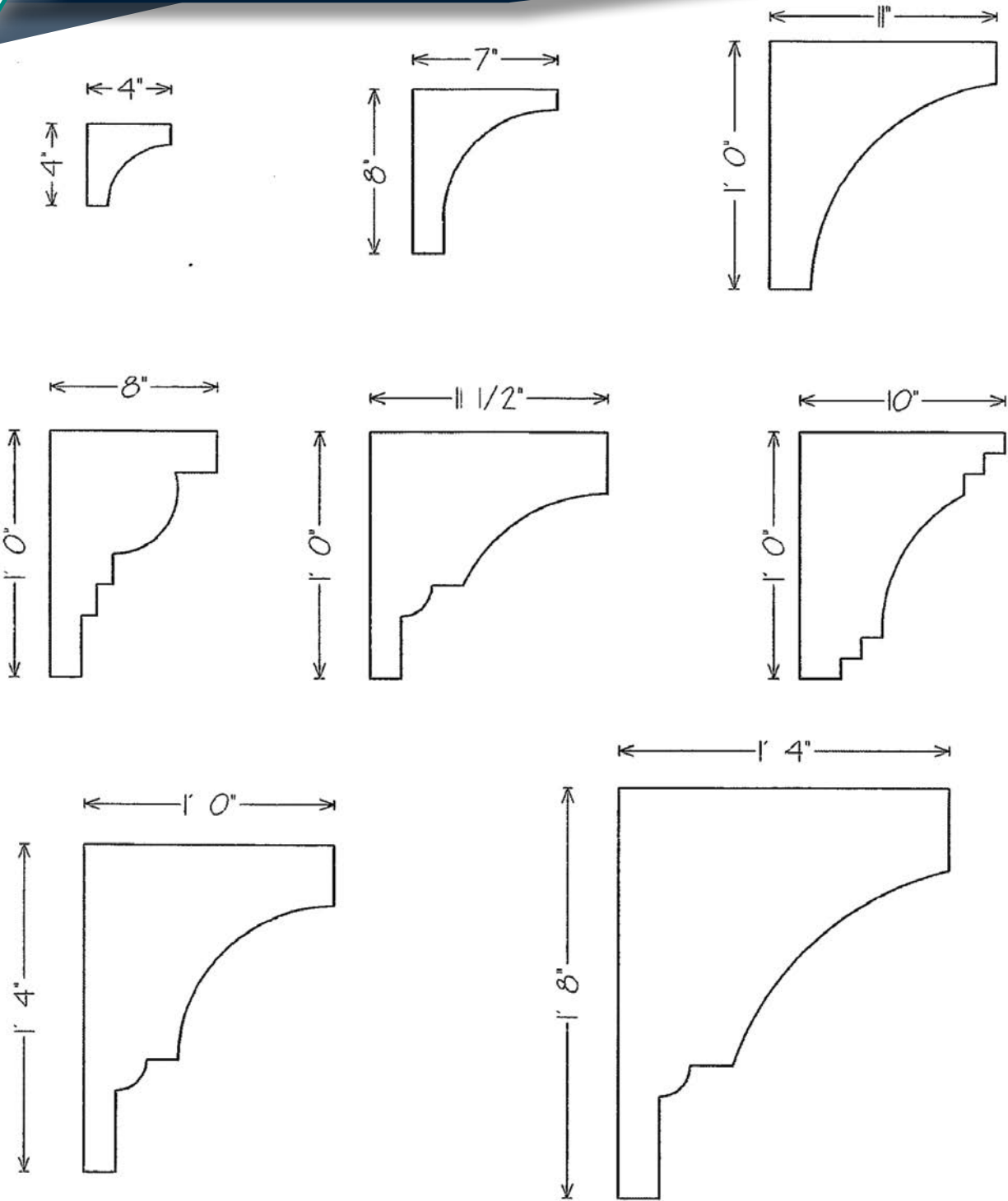
Insulation Corporation of America

2571 Mitchell Avenue • Allentown, PA 18103

Phone: 610-791-4200 Fax: 610-791-9984 • [insulationcorp.com](http://insulationcorp.com) • *WBENC Certified Women's Business Enterprise*



# Moldings & Cornices

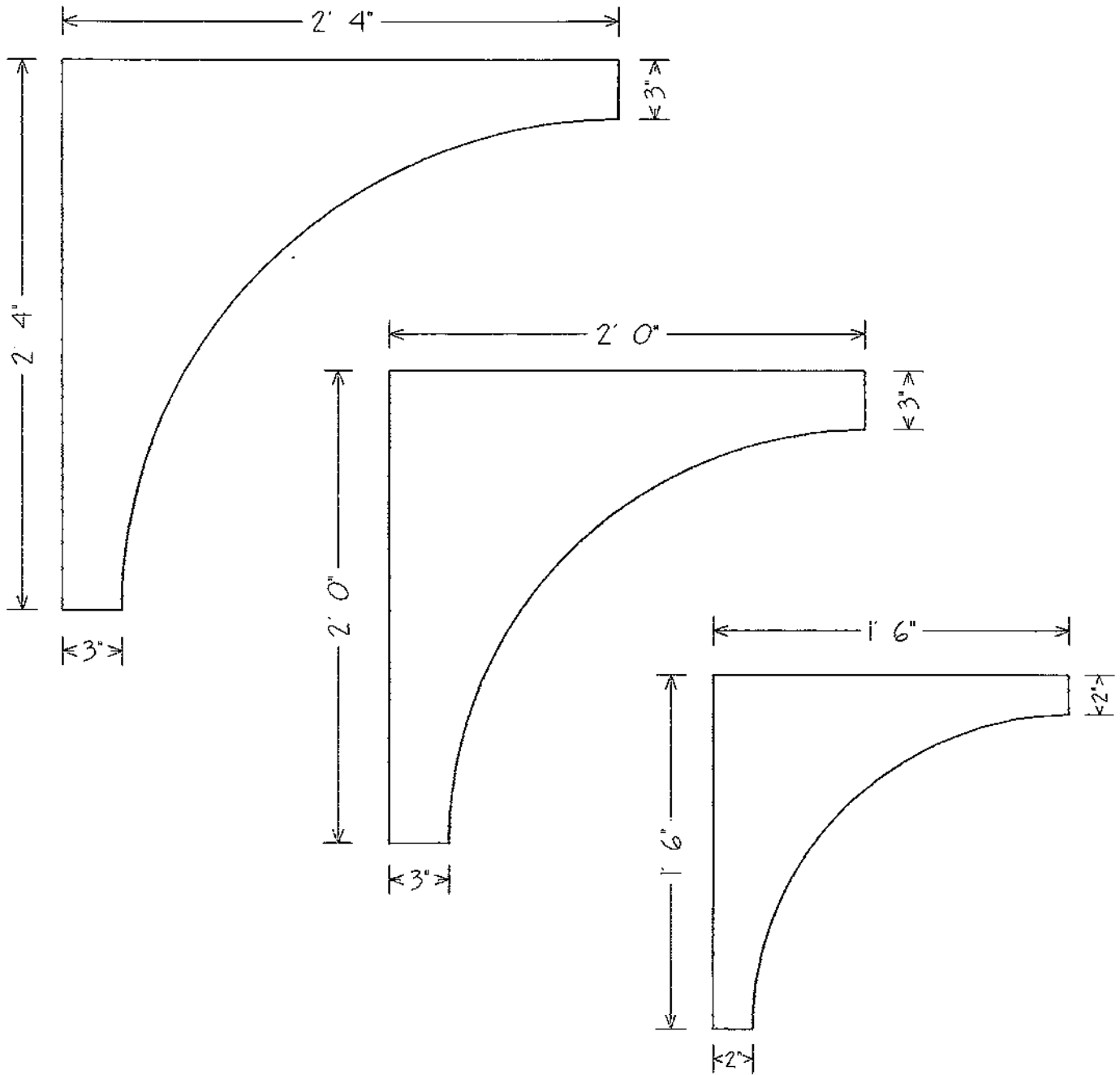


\* NOTE: Any dimension can be changed

This drawing is the property of Insulation Corporation of America and cannot be reproduced without the written permission of ICA, 2571 Mitchell Avenue, Allentown, PA 18103.		
Scale: H/2"-1'0"	Drawing #: EIFS1	Drawn by LPD • 9/1/96



# Moldings & Cornices



\* NOTE: Any dimension can be changed

This drawing is the property of Insulation Corporation of America and cannot be reproduced without the written permission of ICA, 2571 Mitchell Avenue, Allentown, PA 18103.

Scale: H/2"-1'0"	Drawing #: EIFS1	Drawn by LPD • 9/1/96
------------------	------------------	-----------------------

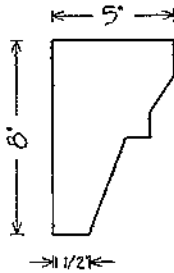
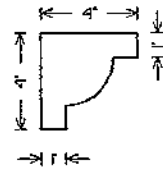
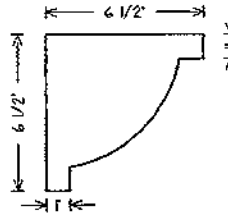
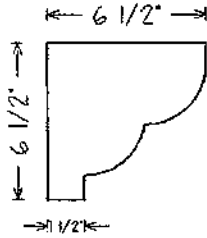
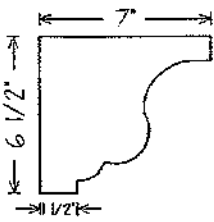
*eps...*

Extraordinary Product Solutions

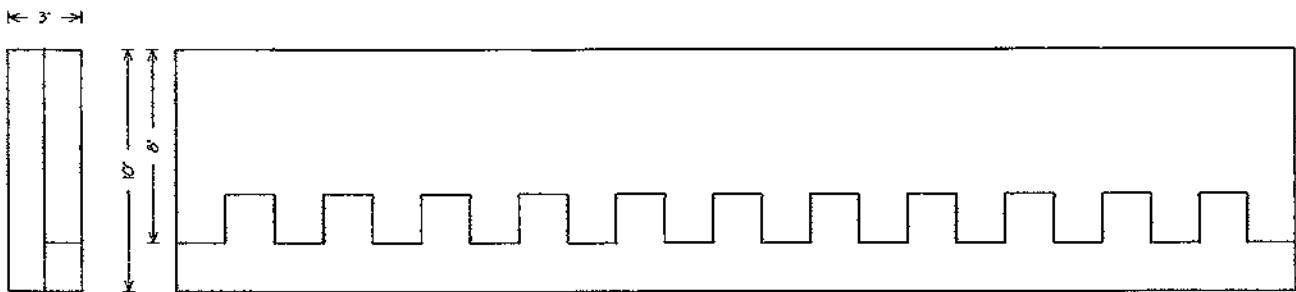
## Insulation Corporation of America

2571 Mitchell Avenue • Allentown, PA 18103

Phone: 610-791-4200 Fax: 610-791-9984 • [insulationcorp.com](http://insulationcorp.com) • *WBENC Certified Women's Business Enterprise*



## Dentil Moldings

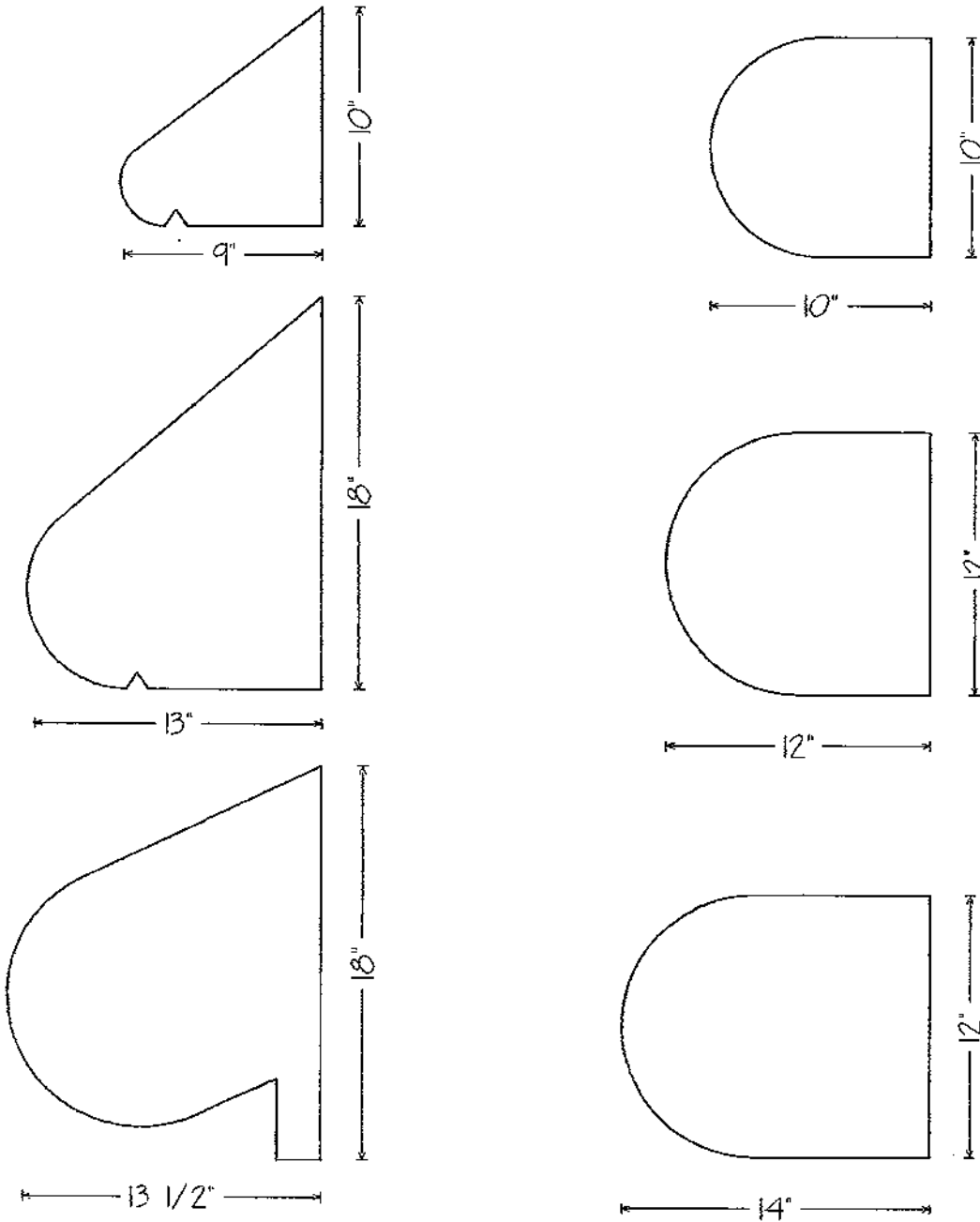


\* NOTE: Any dimension can be changed

This drawing is the property of Insulation Corporation of America and cannot be reproduced without the written permission of ICA, 2571 Mitchell Avenue, Allentown, PA 18103.		
Scale: H/2"-1"0"	Drawing #: EIFS1	Drawn by LPD • 9/1/96



# Bullnoses



\* NOTE: Any dimension can be changed

This drawing is the property of Insulation Corporation of America and cannot be reproduced without the written permission of ICA, 2571 Mitchell Avenue, Allentown, PA 18103.		
Scale: H/2"-1'0"	Drawing #: EIFS1	Drawn by LPD • 9/1/96



Extraordinary Product Solutions

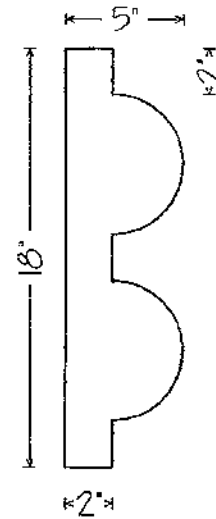
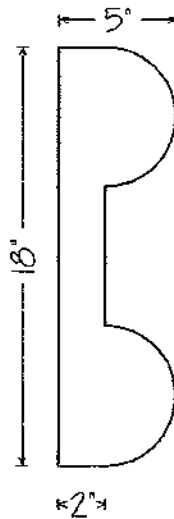
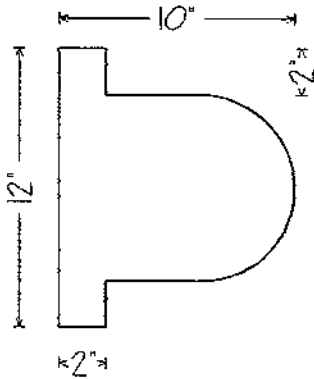
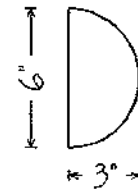
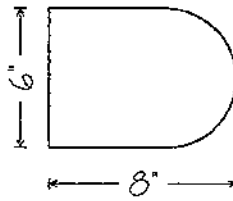
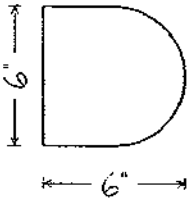
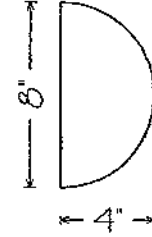
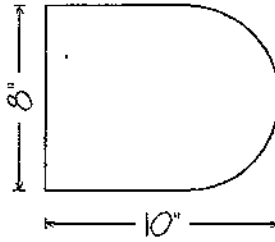
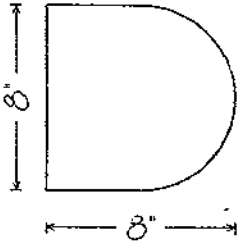
## Insulation Corporation of America

2571 Mitchell Avenue • Allentown, PA 18103

Phone: 610-791-4200 Fax: 610-791-9984 • [insulationcorp.com](http://insulationcorp.com) • *WBENC Certified Women's Business Enterprise*



# Bullnoses



\* NOTE: Any dimension can be changed

This drawing is the property of Insulation Corporation of America and cannot be reproduced without the written permission of ICA, 2571 Mitchell Avenue, Allentown, PA 18103.		
Scale: H/2"-1"0"	Drawing #: EIFS1	Drawn by LPD • 9/1/96



Extraordinary Product Solutions

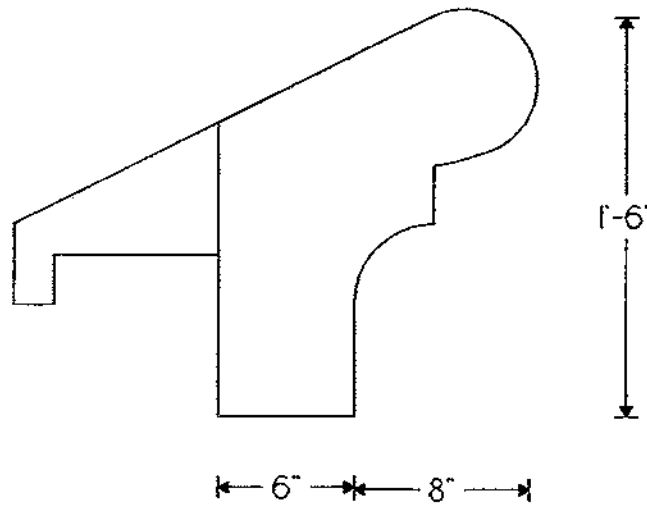
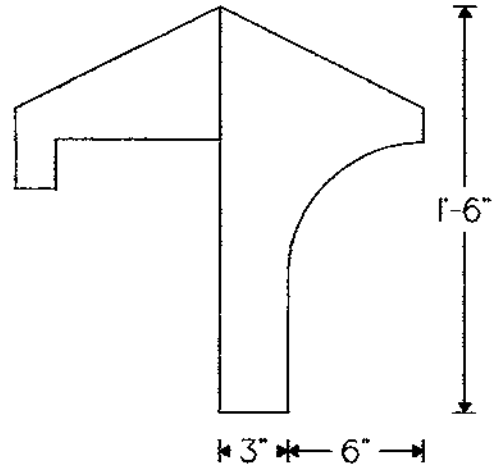
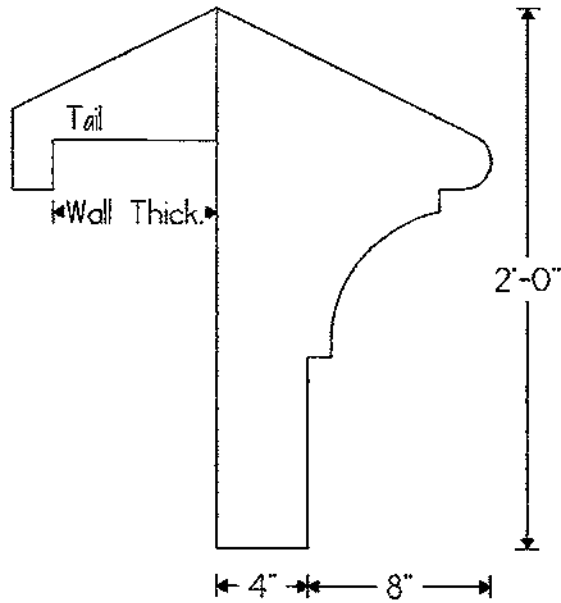
Insulation Corporation of America

2571 Mitchell Avenue • Allentown, PA 18103

Phone: 610-791-4200 Fax: 610-791-9984 • [insulationcorp.com](http://insulationcorp.com) • *WBENC Certified Women's Business Enterprise*



# Parapet Caps with Tails



\* NOTE: Any dimension can be changed

This drawing is the property of Insulation Corporation of America and cannot be reproduced without the written permission of ICA, 2571 Mitchell Avenue, Allentown, PA 18103.		
Scale: H/2'-1'0"	Drawing #: EIFS1	Drawn by LPD • 9/1/96



Extraordinary Product Solutions

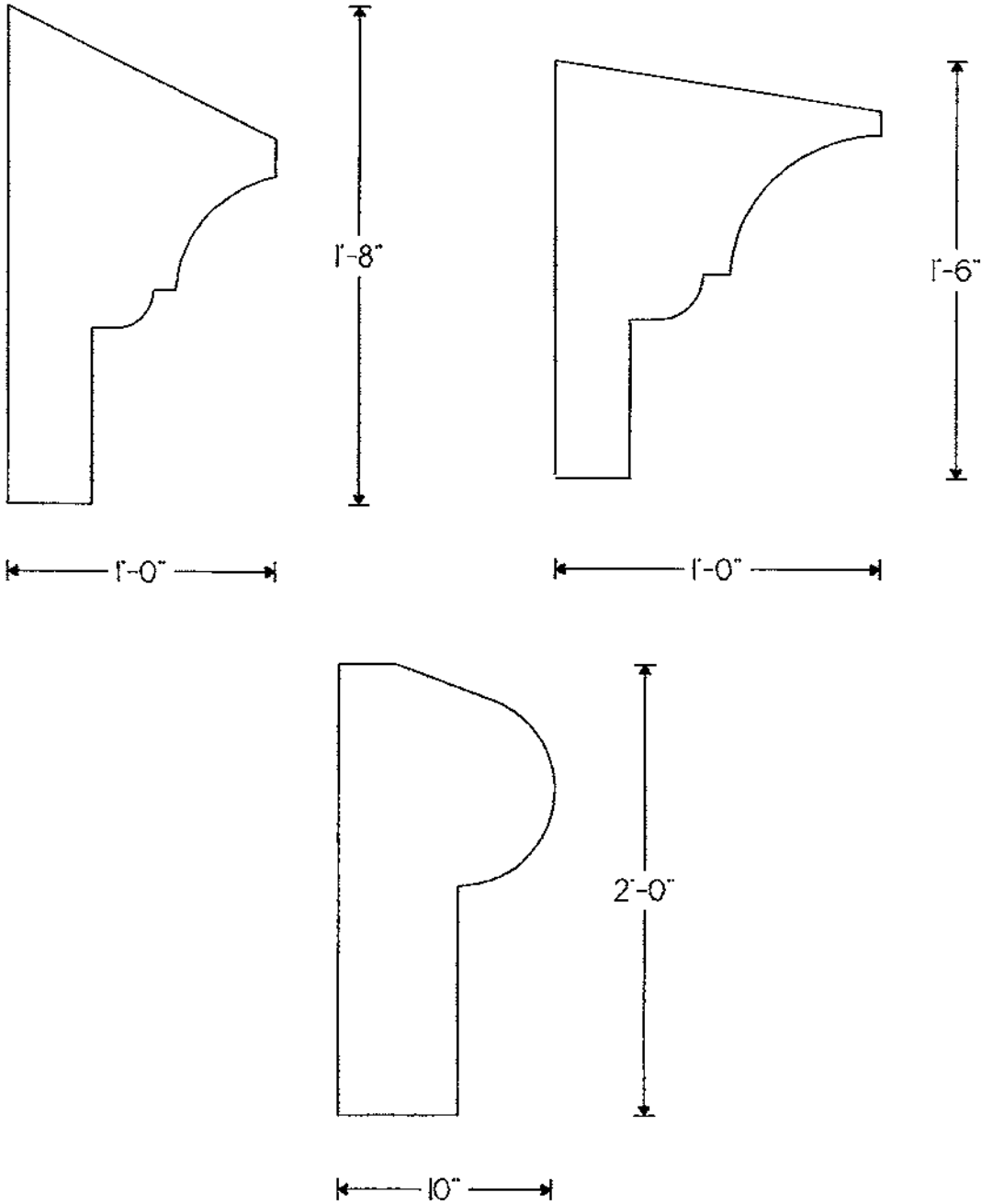
## Insulation Corporation of America

2571 Mitchell Avenue • Allentown, PA 18103

Phone: 610-791-4200 Fax: 610-791-9984 • [insulationcorp.com](http://insulationcorp.com) • *WBENC Certified Women's Business Enterprise*



# Parapet Caps



\* NOTE: Any dimension can be changed

This drawing is the property of Insulation Corporation of America and cannot be reproduced without the written permission of ICA, 2571 Mitchell Avenue, Allentown, PA 18103.

Scale: H/2'-1'0"	Drawing #: EIFS1	Drawn by LPD • 9/1/96
------------------	------------------	-----------------------

*eps...*

Extraordinary Product Solutions

## Insulation Corporation of America

2571 Mitchell Avenue • Allentown, PA 18103

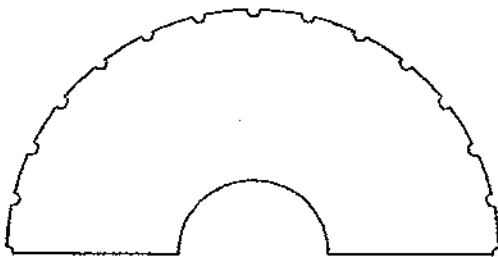
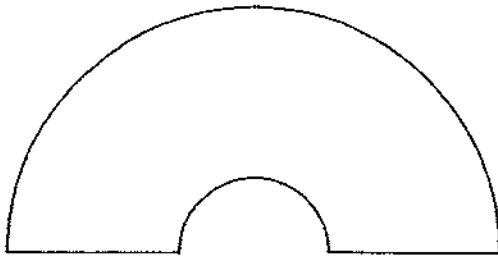
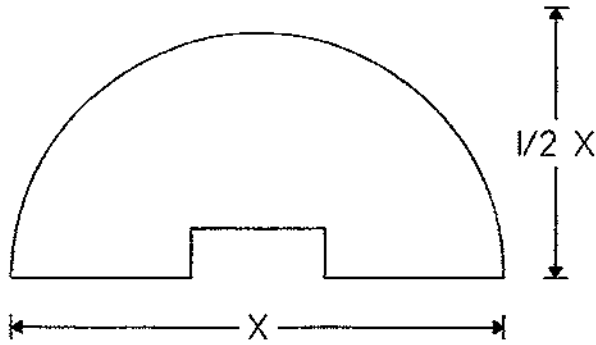
Phone: 610-791-4200 Fax: 610-791-9984 • [insulationcorp.com](http://insulationcorp.com) • *WBENC Certified Women's Business Enterprise*





# Column Covers

Column covers can be cut up to 9' in length; however, typically they are cut in 4' sections.  
Cutouts can be made to fit round or square columns as needed.



\* NOTE: Any dimension can be changed

This drawing is the property of Insulation Corporation of America and cannot be reproduced without the written permission of ICA, 2571 Mitchell Avenue, Allentown, PA 18103.

Scale: H/2'-1'0"

Drawing #: EIFS1

Drawn by LPD • 9/1/96

## Insulation Corporation of America

2571 Mitchell Avenue • Allentown, PA 18103

Phone: 610-791-4200 Fax: 610-791-9984 • [insulationcorp.com](http://insulationcorp.com) • *WBENC Certified Women's Business Enterprise*

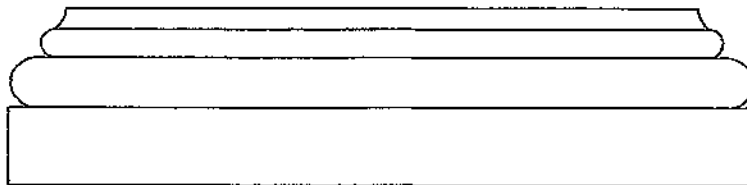
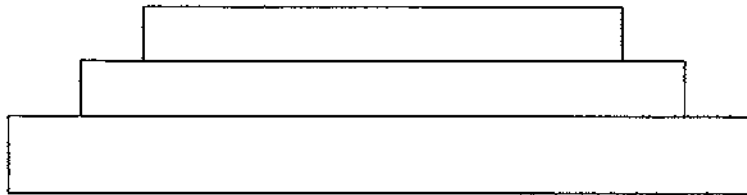
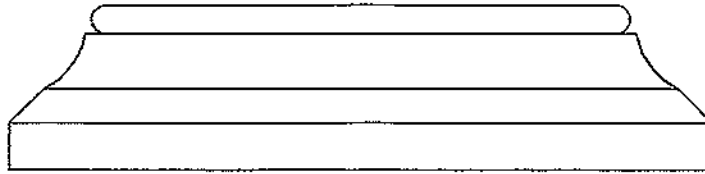
# eps...

Extraordinary Product Solutions



# Column Cover Bases

ICA



\* NOTE: Any dimension can be changed

This drawing is the property of Insulation Corporation of America and cannot be reproduced without the written permission of ICA, 2571 Mitchell Avenue, Allentown, PA 18103.

Scale: H/2'-1'0"

Drawing #: EIFS1

Drawn by LPD • 9/1/96

## Insulation Corporation of America

2571 Mitchell Avenue • Allentown, PA 18103

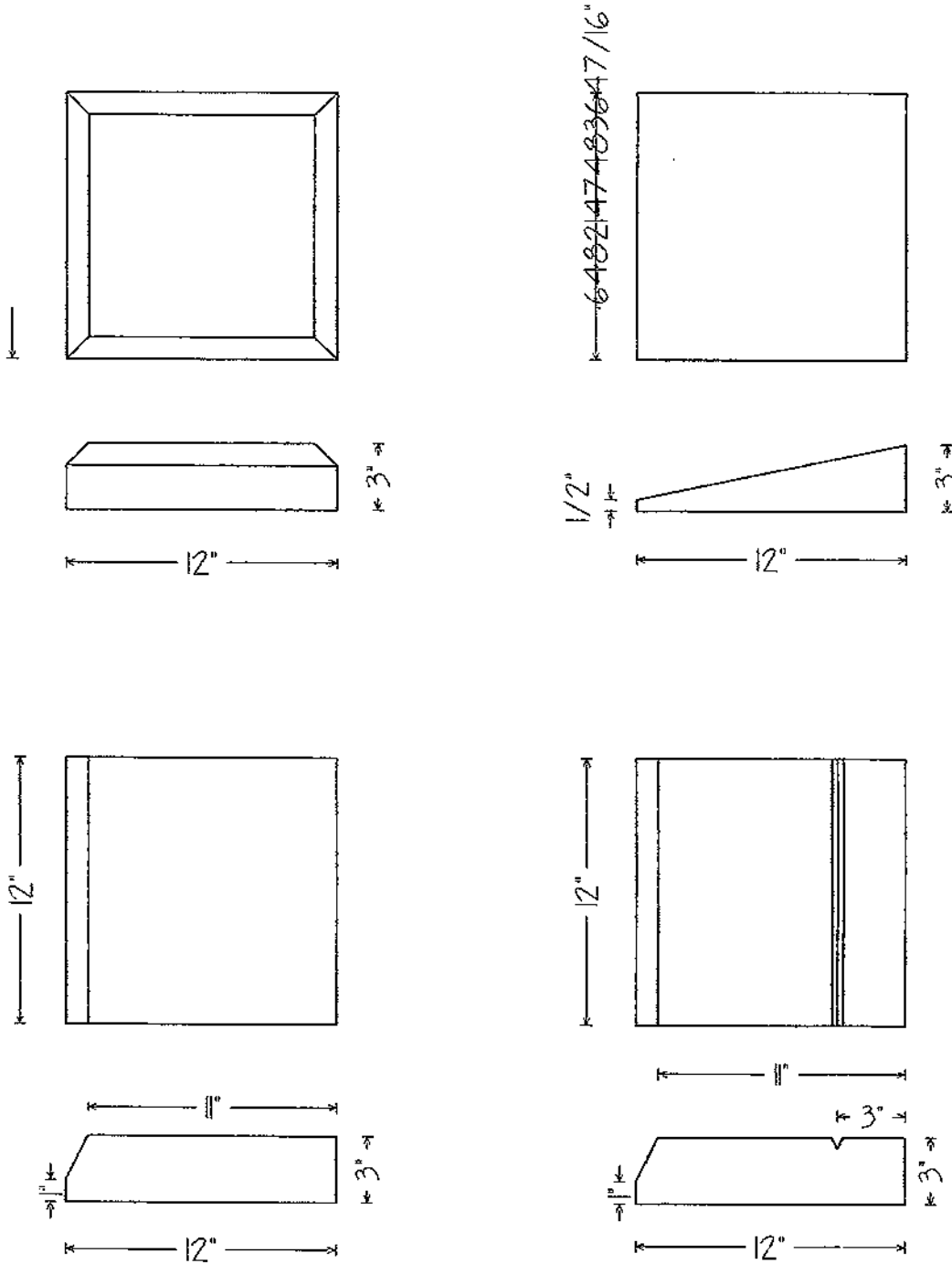
Phone: 610-791-4200 Fax: 610-791-9984 •         
insulationcorp.com • *WBENC Certified Women's Business Enterprise*

*eps...*

Extraordinary Product Solutions



# Appliques



\* NOTE: Any dimension can be changed

This drawing is the property of Insulation Corporation of America and cannot be reproduced without the written permission of ICA, 2571 Mitchell Avenue, Allentown, PA 18103.		
Scale: H/2"-1'0"	Drawing #: EIFS1	Drawn by LPD • 9/1/96

# eps...

Extraordinary Product Solutions

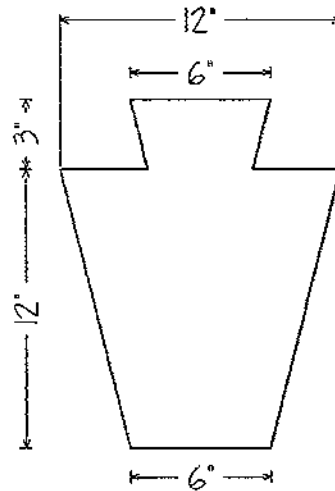
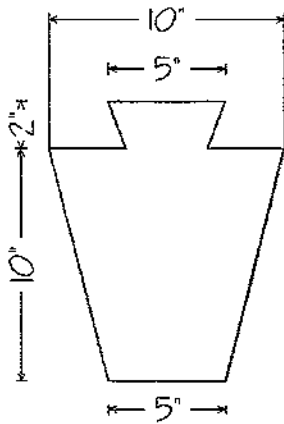
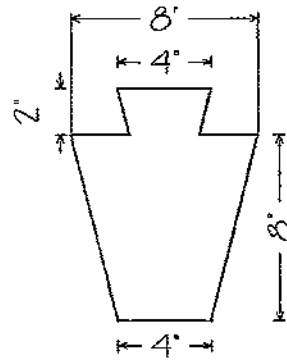
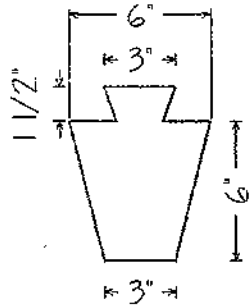
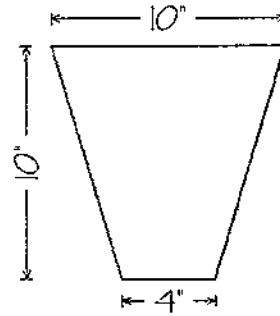
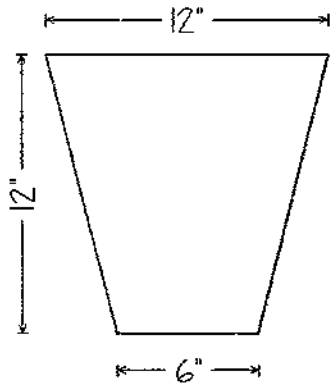
## Insulation Corporation of America

2571 Mitchell Avenue • Allentown, PA 18103

Phone: 610-791-4200 Fax: 610-791-9984 • insulationcorp.com • WBENC Certified Women's Business Enterprise



# Appliques



\* NOTE: Any dimension can be changed

This drawing is the property of Insulation Corporation of America and cannot be reproduced without the written permission of ICA, 2571 Mitchell Avenue, Allentown, PA 18103.

Scale: H/2"-1'0"

Drawing #: EIFS1

Drawn by LPD • 9/1/96

# eps...

Extraordinary Product Solutions

## Insulation Corporation of America

2571 Mitchell Avenue • Allentown, PA 18103

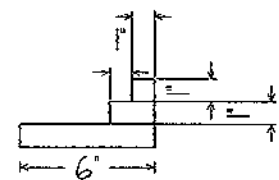
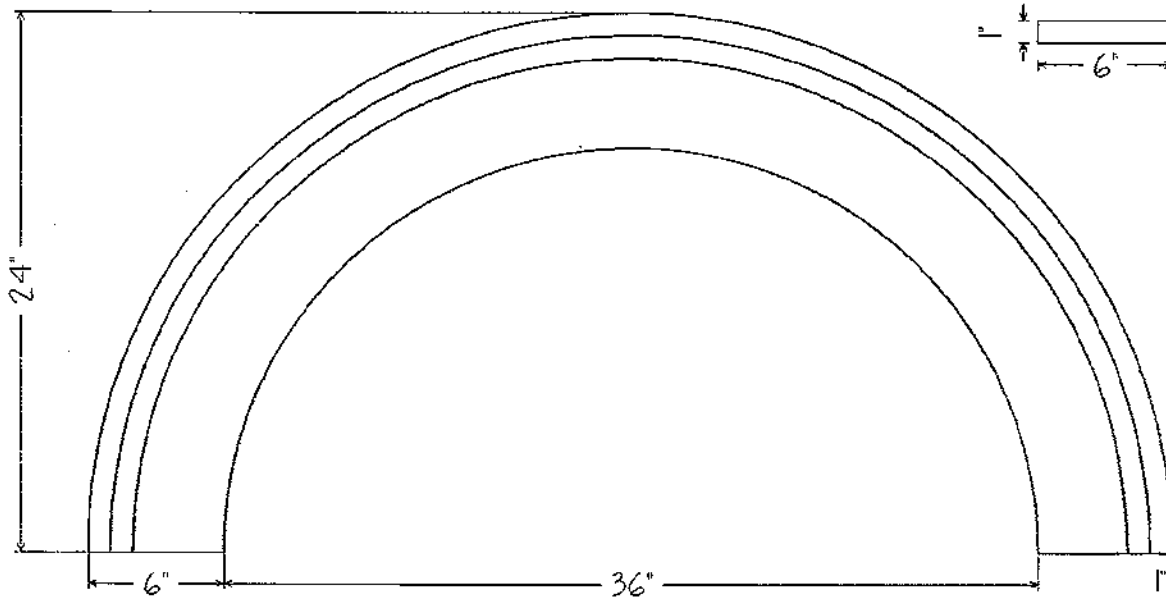
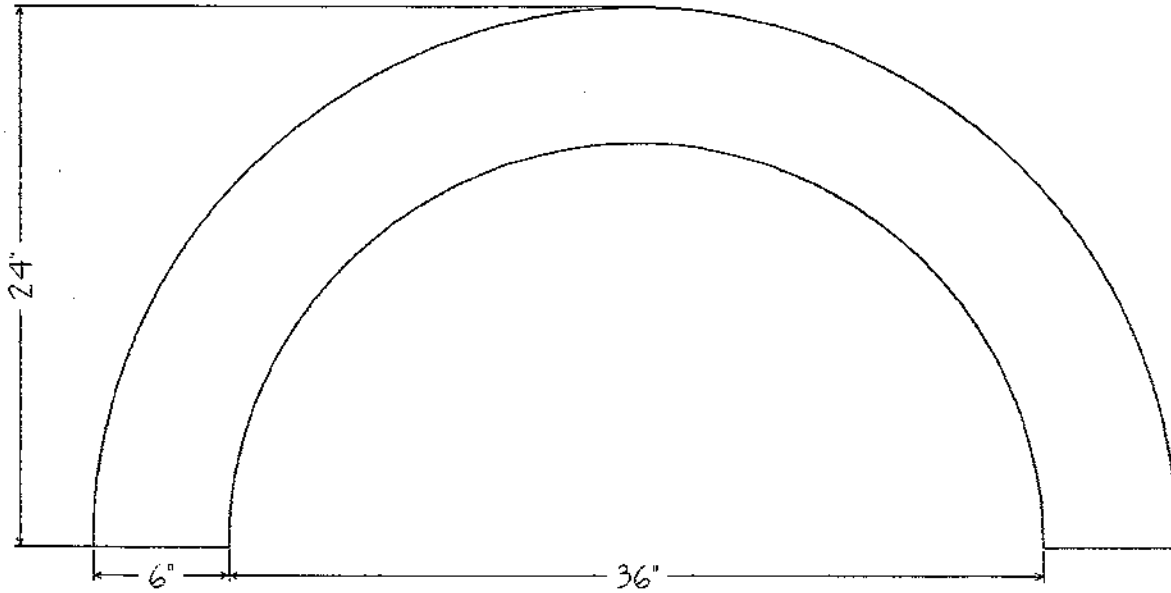
Phone: 610-791-4200 Fax: 610-791-9984 •

insulationcorp.com • **WBENC** Certified Women's Business Enterprise



# Window Headers

# ICA



\* NOTE: Any dimension can be changed

This drawing is the property of Insulation Corporation of America and cannot be reproduced without the written permission of ICA, 2571 Mitchell Avenue, Allentown, PA 18103.		
Scale: H/2'-1'0"	Drawing #: EIFS1	Drawn by LPD • 9/1/96

# eps...

Extraordinary Product Solutions

## Insulation Corporation of America

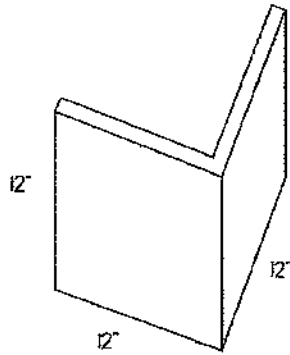
2571 Mitchell Avenue • Allentown, PA 18103

Phone: 610-791-4200 Fax: 610-791-9984 •

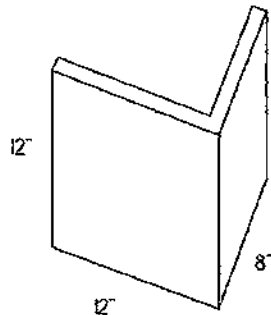
insulationcorp.com • **WBENC** Certified Women's Business Enterprise



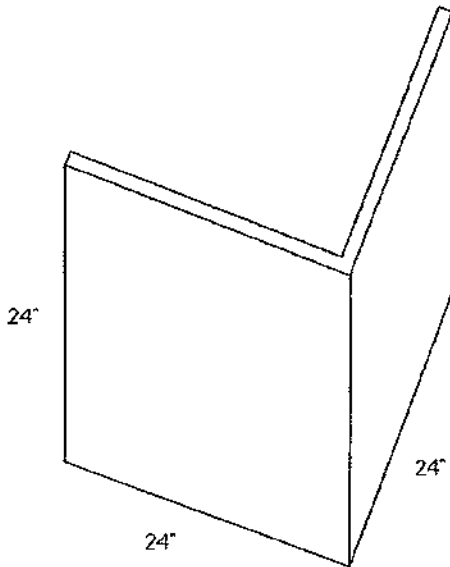
# Square-edge Quoins



12 x 12 / 12 x 12 return  
1" thick quoin



12 x 12 / 12 x 8 return  
1" thick quoin



24 x 24 / 24 x 24 return  
1" thick quoin

\* NOTE: Any dimension can be changed

This drawing is the property of Insulation Corporation of America and cannot be reproduced without the written permission of ICA, 2571 Mitchell Avenue, Allentown, PA 18103.		
Scale: H/2"-1'0"	Drawing #: EIFS1	Drawn by LPD • 9/1/96